

CHUCKS

D-K11 / D-K12 / D-K72



D-K12

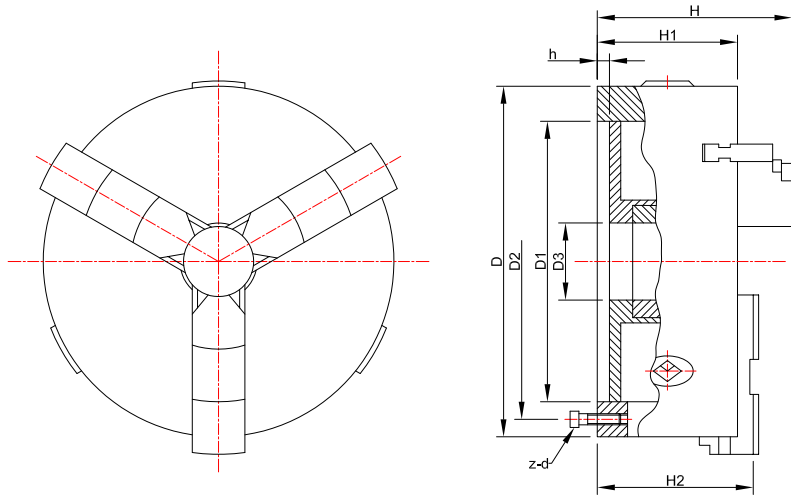
UMETA
fast. safe. easy.



CHUCKS

3-jaw self-centering chuck ISO 3442

D-K11



D - K11



D - K11A

Model	D1	D2	D3	H	H1	H2	h	z-d
D-K11-80	55	66	16	66	50	-	3.5	3-M6
D-K11-100	72	84	22	74.5	55	-	3.5	3-M8
D-K11-125	95	108	30	85	58	-	4	3-M8
D-K11-130	100	115	30	85	58	-	4	3-M8
D-K11-160	130	142	40	95	65	-	5	3-M8
D-K11-160A	130	142	40	109	65	71	5	3-M8
D-K11-165	130	145	40	95	65	-	5	3-M8
D-K11-190	155	172	55	109	75	-	5	3-M10
D-K11-200	165	180	65	109	75	-	5	3-M10
D-K11-200A	165	180	65	122	75	80	5	3-M10
D-K11-240	195	215	70	120	80	-	8	3-M12
D-K11-250	206	226	80	120	80	-	5	3-M12
D-K11-250A	206	226	80	133	80	85	5	3-M12
D-K11-315	260	285	100	142.5	90	-	6	3-M16
D-K11-315A	260	285	100	155.5	90	96.5	6	3-M16
D-K11-325	272	296	100	142.5	90	-	6	3-M16
D-K11-400	340	368	130	155.5	100	-	6	3-M16
D-K11-400A	340	368	130	170.5	100	108.5	6	3-M16
D-K11-500A	440	465	200	203	115	123	6	6-M16
D-K11-630A	560	595	260	218	130	138	7	6-M16
D-K11-800A	710	760	385	249	148	158	8	6-M20
D-K11-1000A	910	950	460	266	165	-	8	6-M24

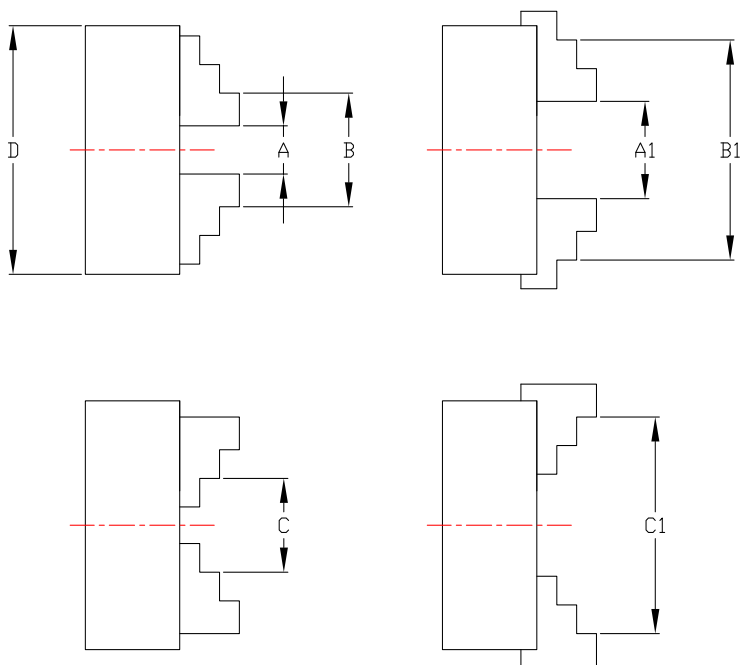
All information is subject to printing-, typing errors and modifications.



CHUCKS

3-jaw self-centering chuck ISO 3442

D-K11



Model D-K11	Internal jaws Clamping range A-A1	External jaws Clamping Range B-B1	Internal jaws Clamping range C-C1
80	2-22	25-70	22-63
100	2-30	30-90	30-80
125	2,5-40	38-125	38-110
130	3-40	40-130	40-120
160	3-55	50-160	55-145
165	4-60	52-165	55-150
190	4-70	65-190	65-190
200	4-85	65-200	65-200
240	6-100	80-240	90-240
250	6-110	80-250	90-250
315	10-140	95-315	100-315
325	10-140	95-325	100-325
400	15-210	120-400	120-400
500	25-280	150-500	150-500
630	50-350	170-630	170-630
800	150-450	300-800	300-800
1000	290-600	430-1000	430-1000

All information is subject to printing-, typing errors and modifications.



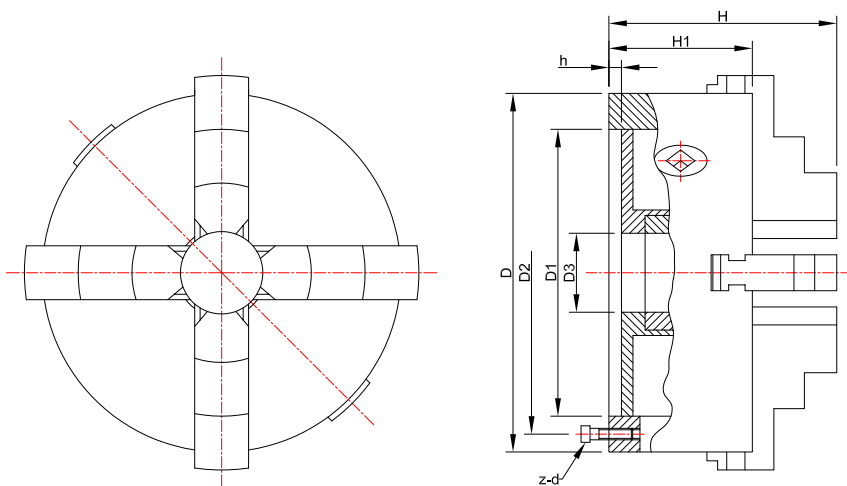
The model D-K11 is now also available with a clamping range of up to Ø1500 mm. Ask for the article-no. D-K11-1500A.



CHUCKS

4-Jaw self-centering chuck

D-K12



Model	D1	D2	D3	H	H1	h	z-d
D-K12-80	55	66	16	66	50	3.5	3-M6
D-K12-100	72	84	22	74.5	55	3.5	3-M8
D-K12-125	95	108	30	84	58	4	3-M8
D-K12-130	100	115	30	86	60	3,5	3-M8
D-K12-160	130	142	40	95	65	5	3-M8
D-K12-160A	130	142	40	109	65	5	3-M8
D-K12-200	165	180	65	109	75	5	3-M10
D-K12-200A	165	180	65	122	75	5	3-M10
D-K12-250	206	226	80	120	80	5	3-M12
D-K12-250A	206	226	80	136	80	5	3-M12
D-K12-315	260	285	100	142.5	90	6	3-M16
D-K12-315A	260	285	100	155.5	90	6	3-M16
D-K12-400A	340	368	130	171,5	100	6	3-M16
D-K12-500A	440	465	200	203	115	6	6-M16
D-K12-630A	560	595	260	218	130	7	6-M16
D-K12-800A	710	760	385	249	148	8	6-M20
D-K12-1000A	910	950	460	266	165	8	6-M24

All information is subject to printing-, typing errors and modifications.



D - K12



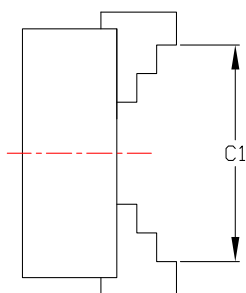
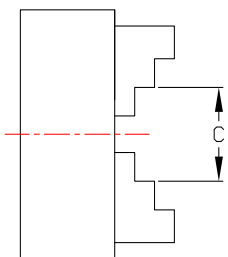
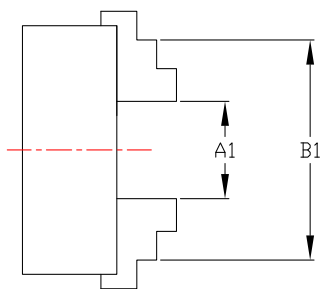
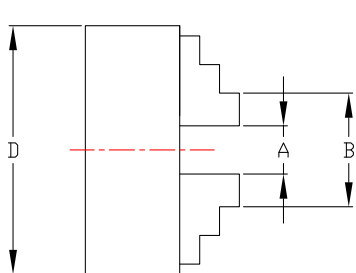
D - K12A



CHUCKS

4-jaw self-centering chuck

D-K12



Model D-K12	Internal jaws Clamping range A-A1	External jaws Clamping Range B-B1	Internal jaws Clamping range C-C1
80	2-22	25-70	22-63
100	2-30	30-90	30-80
125	2,5-40	38-125	38-110
130	3-40	40-130	40-120
160	3-55	50-160	55-145
200	4-85	65-200	65-200
250	6-110	80-250	90-250
315	10-140	95-315	100-315
400	15-210	120-400	120-400
500	25-280	150-500	150-500
630	50-350	170-630	170-630
800	150-450	300-800	300-800
1000	290-600	430-1000	430-1000

All information is subject to printing-, typing errors and modifications.



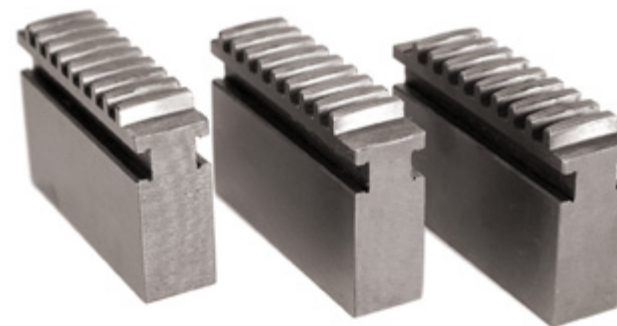
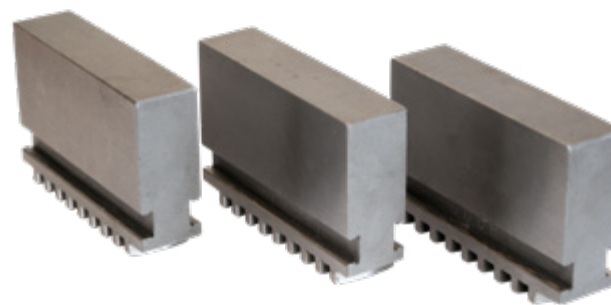
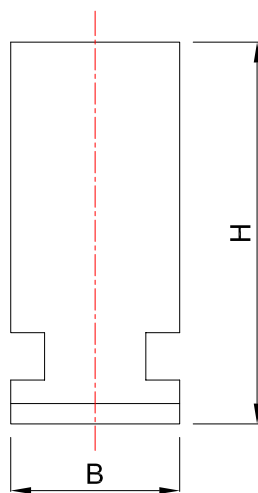
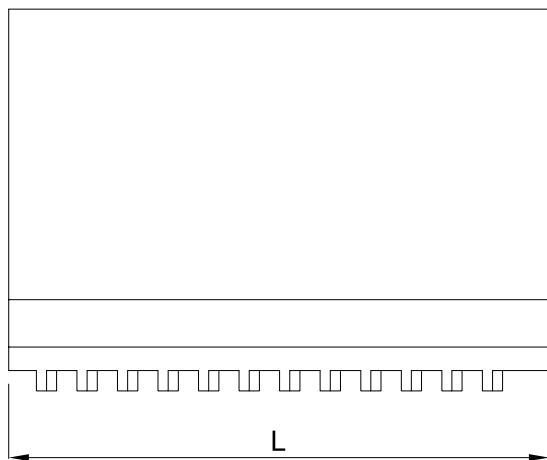
CHUCKS

Jaws

SOFT JAWS

Model	K11/K12 80	K11/K12 100	K11/K12 125	K11/K12 160	K11/K12 200	K11/K12 250	K11/K12 315	K11/K12 400
L	32	43	56	70	85	105	130	143
B	12	15	16	18,5	22	27	36	36
H	33	38	45	54	61	69	91	95

All information is subject to printing-, typing errors and modifications.



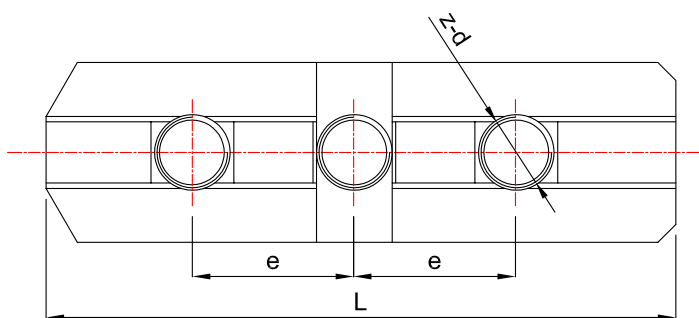
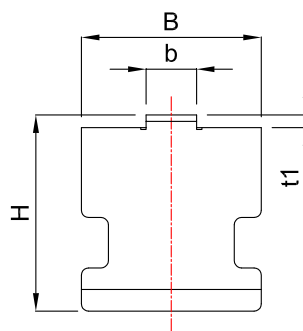
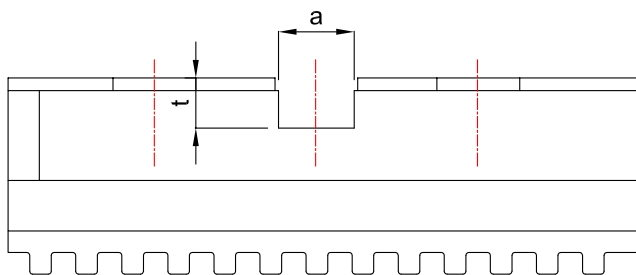
CHUCKS

Jaws

MASTER JAWS

Model	K11/K12 160A	K11/K12 200A	K11/K12 250A	K11/K12 400A	K11/K12 500A	K11/K12 630A	K11/K12 800A
L	64	80	95	127	165	195	286
B	20	22	27	36	46	50	60
H	33	35	37	46	55	57	65
a	12,675	12,675	19,025	19,025	19,025	19,025	19,025
b	7,94	7,94	12,7	12,7	12,7	12,7	12,7
e	19	22,2	27	38,1	38,1	38,1	38,1
t	4	4	4	7	7	7	7
t1	3	3	3	3	3	3	3
z-d	2-M10	2-M10	2-M12	2-M16	4-M20	5-M20	7-M20

All information is subject to printing-, typing errors and modifications.



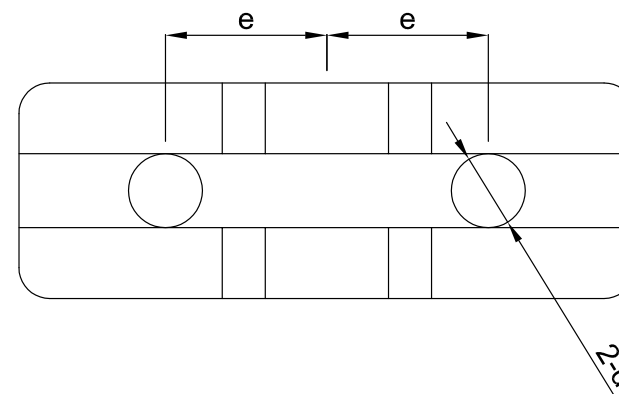
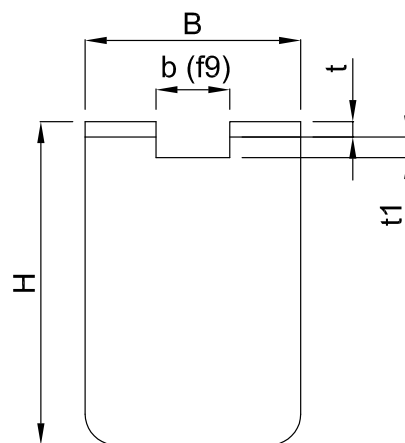
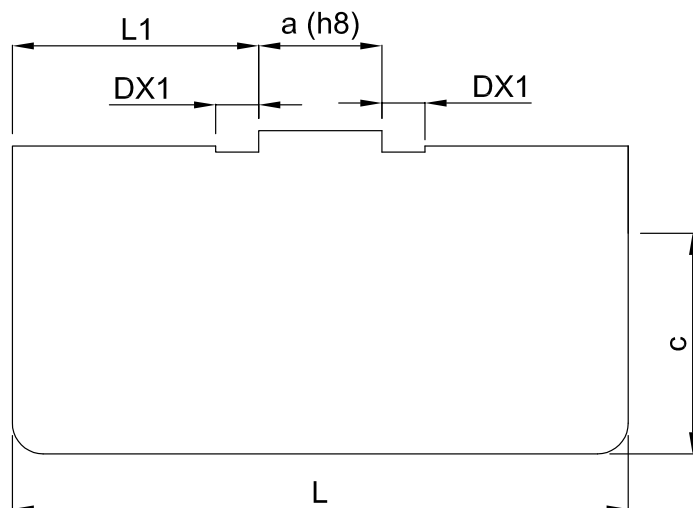
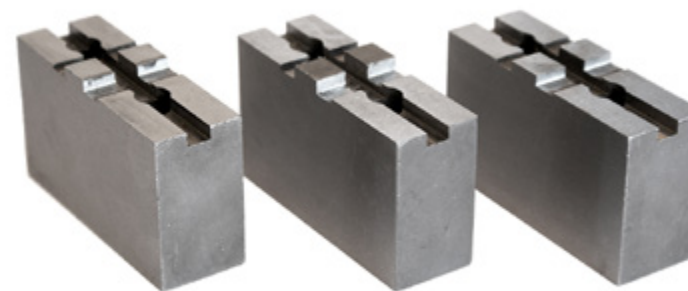
CHUCKS

Jaws

SOFT TOP JAWS

Model	K11/K12 160A	K11/K12 200A	K11/K12 250A	K11/K12 400A	K11/K12 500A
L	74	90	110	135	160
H	47	55	63	85	90
b	7,94	7,94	12,7	12,7	12,7
D	8	8	8	10	10
B	25	30	36	45	50
L1	36	43	50	67	80
a	12,675	12,675	19,025	19,025	19,025
e	19	22,2	27	38,1	38,1
d	ø11	ø11	ø13	ø18	ø22
d1	ø17	ø17	ø20	ø26	ø32
t	3	3	3	4	4
t1	4	4	4	6	6
c	36	41	50	66	68

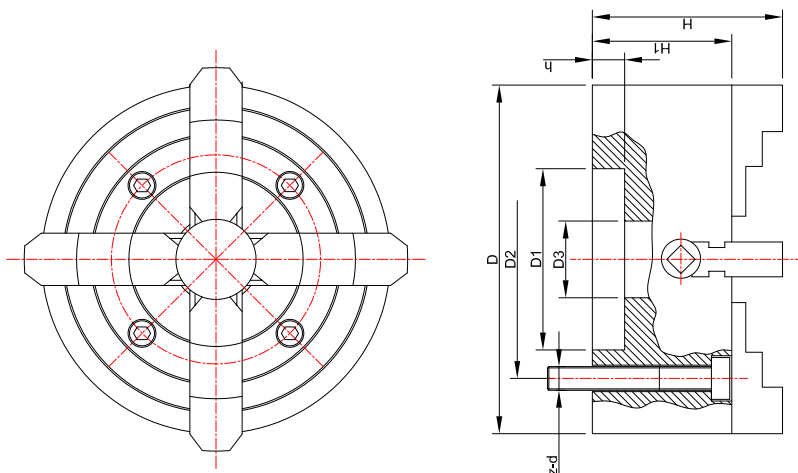
All information is subject to printing-, typing errors and modifications.



CHUCKS

4-jaw independend chuck

D-K72



Model	D1	D2	D3	H	H1	h	z-d
D-K72-80	55	66	22	59	43	4	4-M6
D-K72-100	72	84	25	77	54	4	4-M8
D-K72-160	65	95	45	93	65	5	4-M10
D-K72-200	75	95	56	107	75	6	4-M10
D-K72-250	110	130	75	120	80	6	4-M12
D-K72-315	140	165	95	138	90	6	4-M16
D-K72-350	130/140	168	95	138	90	6	4-M16
D-K72-400	160	185	125	143	95	8	4-M16
D-K72-500	200	236	160	160	105	8	4-M20
D-K72-630	220	258	180	180	118	10	4-M20
D-K72-800	250	300	210	202	132	12	8-M20
D-K72-1000	320	370	260	241	150	15	8-M20

All information is subject to printing-, typing errors and modifications.



D - K72



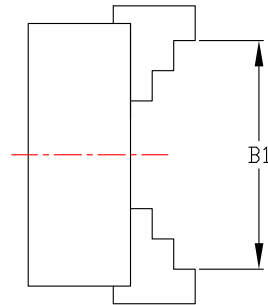
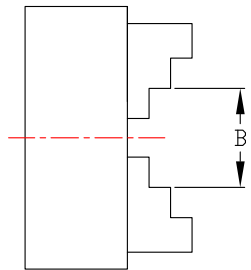
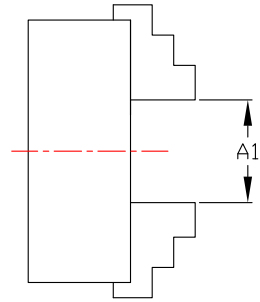
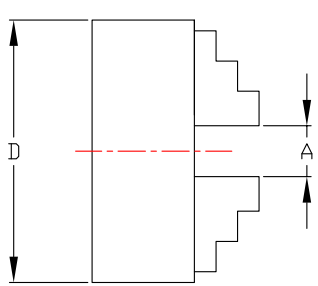
D - K72



CHUCKS

4-jaw independend chuck

D-K72



Model D-K72	Internal jaws Clamping range A-A1	External jaws Clamping Range B-B1
80	5-35	35-80
100	6-45	40-100
160	8-80	50-160
200	10-100	63-200
250	15-130	80-250
315	20-170	100-315
350	20-206	100-350
400	25-250	118-400
500	35-300	125-500
630	50-400	160-630
800	70-540	200-800
1000	100-680	250-1000

All information is subject to printing-, typing errors and modifications.